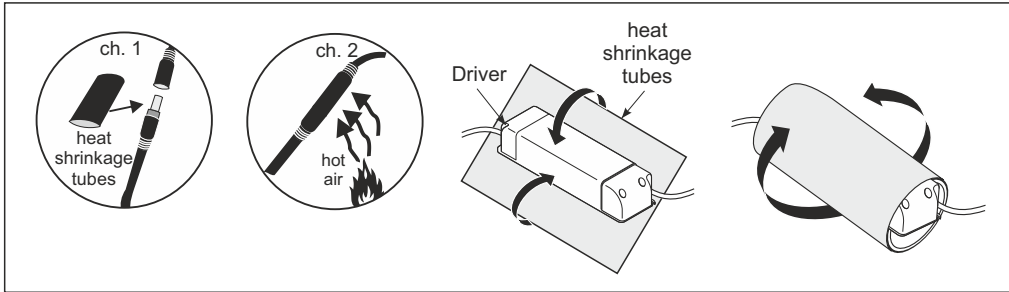


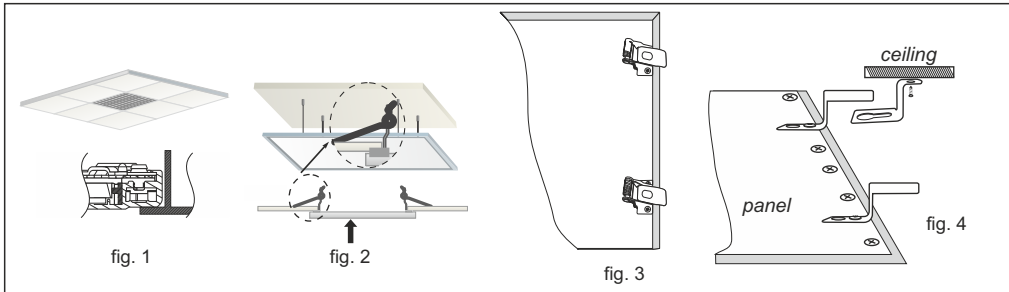


Продукт, който не може да бъде разглобен за проверка, без да се наруши целостта на светлинния източник

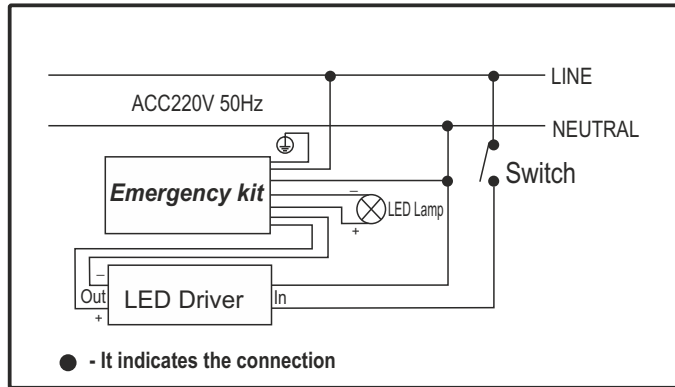
A containing product that you cannot disassemble for control measurement of the light source without the risk of damaging the light source.



Mounting



Wiring diagram

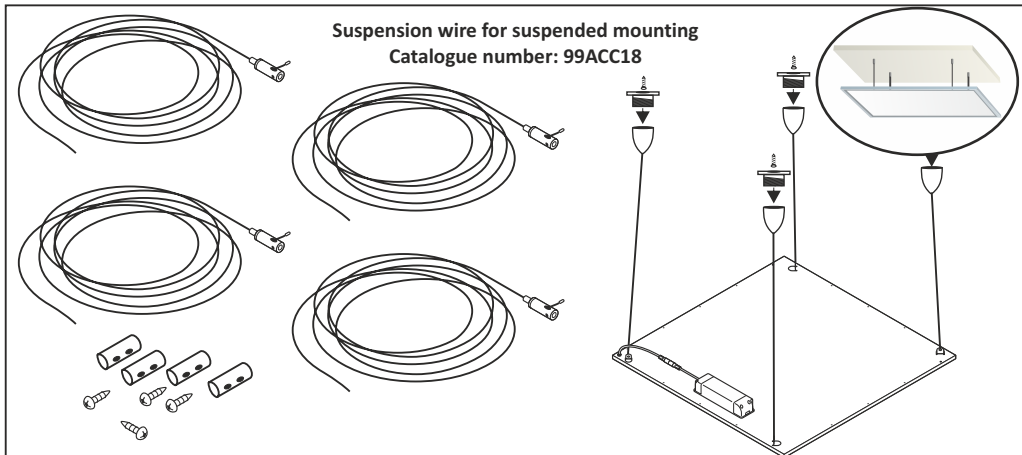
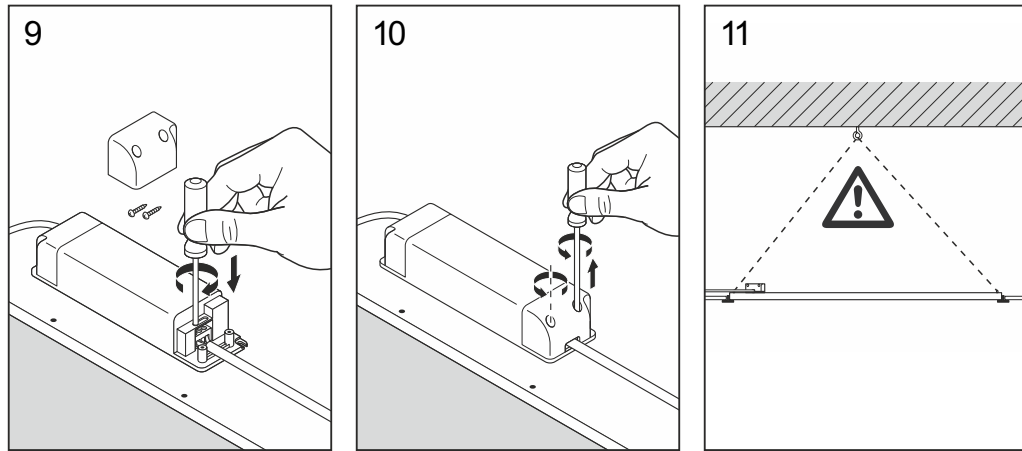
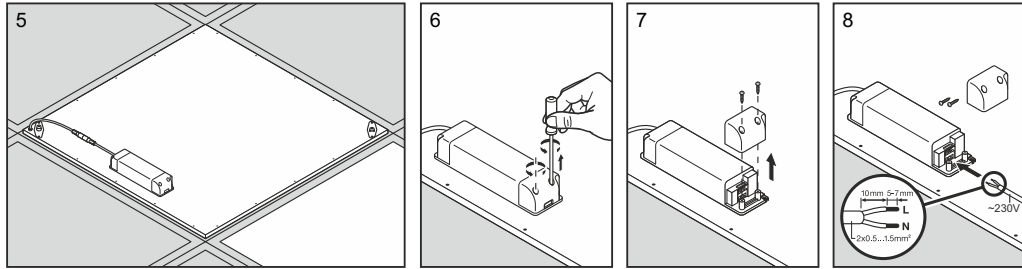
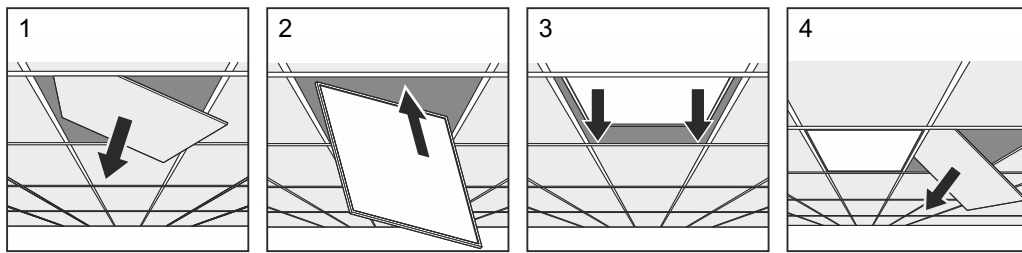


- (BG) Инструкция за монтаж и експлоатация
- (EN) Instruction for installation and use
- (RO) Instrucțiune de instalare și utilizare
- (SRB) Uputstvo za ugradnju i upotrebu
- (HR) Uputstvo za ugradnju i upotrebu
- (BIH) Uputstvo za ugradnju i upotrebu
- (HU) Szerelési és kezelési utasítás
- (SLO) Navodilo za vgradnjo in uporabo
- (GR) Οδηγισ για την εγκατασταση και τη χρηση
- (MK) Упатство за вградување и употреба
- (SK) Návod na montáž a používanie
- (PL) Instrukcja instalacji i użytkowania
- (P) Instrução para instalação e uso
- (IT) Istruzioni per l'installazione e l'uso

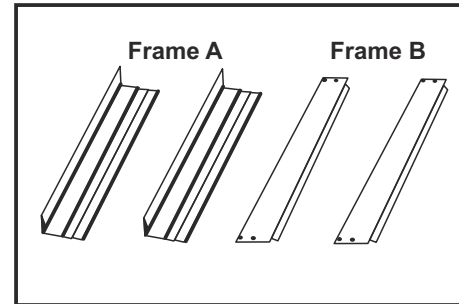


- (BG) LED панели
- (EN) LED panels
- (RO) Panou cu LED
- (SRB) LED Panel - četvrtasti
- (HR) LED paneli
- (BIH) LED Panel - četvrtasti
- (HU) LED Panel négyszög alakú
- (SLO) LED paneli
- (GR) Πάνελ LED τετράγωνο
- (MK) LED панели
- (SK) LED panely
- (PL) Panele LED
- (P) Painéis de LED
- (IT) Pannelli a LED

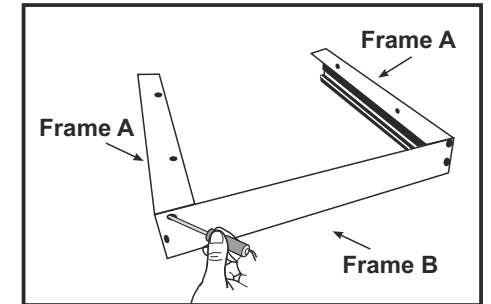
Model	W	K	lm	UGR	lm/W	V _{AC}	Hz	Size (mm)		
								W	L	H
92PANEL028W	48	4000	5280	<19	110lm/W	~230V	50/60Hz	595	595	30
92PANEL028CW	48	6400	5280	<19	110lm/W	~230V	50/60Hz	595	595	30
92PANEL029W	48	4000	5280	<19	110lm/W	~230V	50/60Hz	295	1195	30
92PANEL029CW	48	6400	5280	<19	110lm/W	~230V	50/60Hz	295	1195	30
92PANEL028WE	48	4000	5280	<19	110lm/W	~230V	50/60Hz	595	595	30
92PANEL028CWE	48	6400	5280	<19	110lm/W	~230V	50/60Hz	595	595	30
92PANEL029WE	48	4000	5280	<19	110lm/W	~230V	50/60Hz	295	1195	30
92PANEL029CWE	48	6400	5280	<19	110lm/W	~230V	50/60Hz	295	1195	30
92PANEL028W44	48	4000	5280	<19	110lm/W	~230V	50/60Hz	595	595	30
92PANEL028CW44	48	6400	5280	<19	110lm/W	~230V	50/60Hz	595	595	30
92PANEL029W44	48	4000	5280	<19	110lm/W	~230V	50/60Hz	295	1195	30
92PANEL029CW44	48	6400	5280	<19	110lm/W	~230V	50/60Hz	295	1195	30
92PANEL028W44E	48	4000	5280	<19	110lm/W	~230V	50/60Hz	595	595	30
92PANEL028CW44E	48	6400	5280	<19	110lm/W	~230V	50/60Hz	595	595	30
92PANEL029W44E	48	4000	5280	<19	110lm/W	~230V	50/60Hz	295	1195	30
92PANEL029CW44E	48	6400	5280	<19	110lm/W	~230V	50/60Hz	295	1195	30



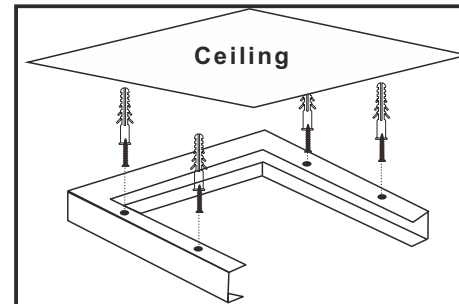
Installation steps for LED frame



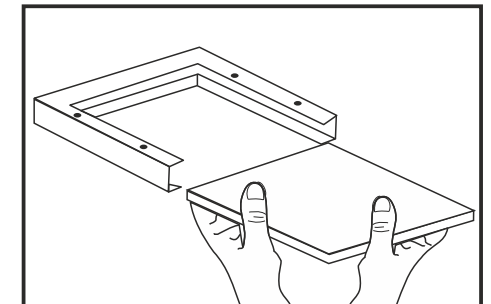
1. Frame - Type A and type B



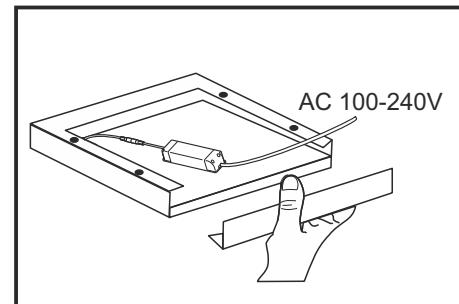
2. Fix the two "A" frames together with and "B" frame



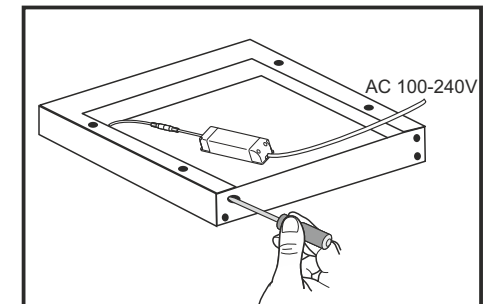
3. Mount the frame to the ceiling



4. Slide the LED panels to the frame



5. Insert the driver "B" frame on to the ends of the "A" frames



6. Fix the "B" frame with the screws elements